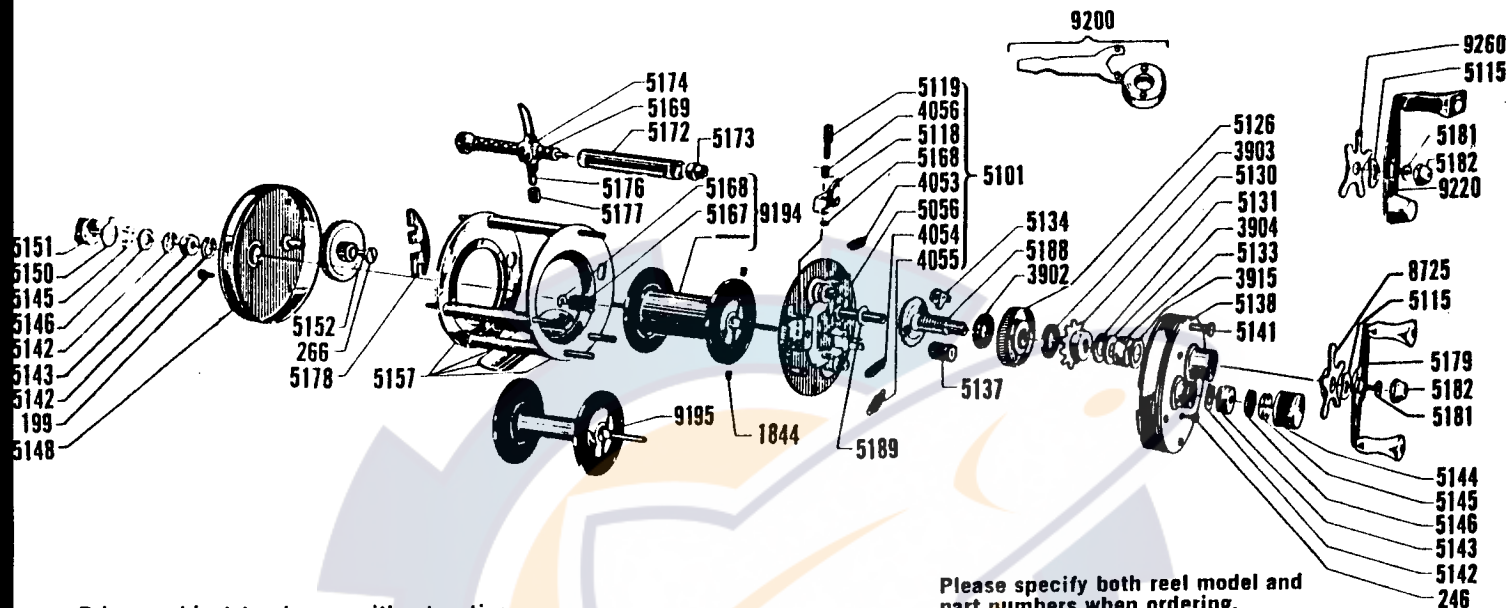


AMBASSADEUR 5000-5000A



Prices subject to change without notice

Please specify both reel model and part numbers when ordering.

No.	Part Name	Price	No.	Part Name	Price	No.	Part Name	Price
199	Pillar Screw	(each) .10	5130	Click Wheel	1.00	5172	Carriage Screw Guard	1.65
246	Bridge Screw	(each) .10	5131	Spring Washer	.10	5173	Carriage Screw Bearing	.10
266	Cog Wheel Screw	.10	5133	Drive Shaft Bearing	.25	5174	Line Carriage	2.50
1844A	Brake Block, Small	(each) .10	5134	Anti Reverse Dog	.65	5176	Line Carriage Pawl	.60
1844B	Brake Block, Medium	(each) .10	5137	Right Pinion Gear	1.05	5177	Line Carriage Nut	.20
1844C	Brake Block, Large	(each) .10	5138	Right Side Plate	4.85	5178	Carriage Screw Lock Arm	.10
3902	Base Drag Washer	.10	5141	Side Plate Thumb Nut	(each) .25	5179	Handle	2.50
3903	Drag Washer	.10	5142	Spool Bearing Lock	(each) .10	5181	Handle Retaining Screw	.10
3904	Drag Spacer	.10	5143	Spool Shaft Bearing	(each) .90	5182	Handle Lock Nut	.50
3915	Drag Shim	.10	5144	Right Spool Cap	.95	5188	Drive Shaft with Ratchet Wheel	2.60
4053	Left Lock Arm Spring	.10	5145	Spool Centering Shim	(each) .10	5189	Drive Shaft Shim	.10
4054	Right Lock Arm Spring	.10	5146	Felt Oil Retainer	(each) .10	8725	Star Wheel, Small	2.75
4055	Press Arm Spring	.10	5148	Left Side Plate	3.75	9194	(5162) Spool Complete, Small (with container)	10.00
4056	Pinion Yoke Spring	.10	5150	Spool Tension Indicator	.10	9195	(8743) Spool Complete, Large (with container)	10.00
5056	Brake Plate	5.75	5151	Left Spool Cap	1.90	9200	Drag conv. kit for Miami Met Derby	2.75
5101	Brake Plate Assembly (complete)	7.00	5152	Cog Wheel	1.05	9210	Spool Container	.60
5115	Friction Washer	.10	5157	Frame Assembly (complete)	5.25	9220	Handle, Single knob (Accessory)	2.75
5118	Pinion Yoke	.50	5167	Left Pinion Gear	.55	9260	Star Wheel (Accessory)	2.75
5119	Pinion Yoke Shaft	.25	5168	"C" Lock	(each) .10			
5126	Drive Gear with Click Spring	1.60	5169	Carriage Screw	2.10			

PARTS AND SERVICE AVAILABLE AT THE FOLLOWING REGIONAL FACTORY REPAIR DEPOTS:

**FACTORY SERVICE
 RODS, REELS AND PARTS**

**THE GARCIA SERVICE DEPARTMENT
 329 ALFRED AVENUE
 TEANECK, NEW JERSEY 07666**

**THE CONOLON CORPORATION
 1111 EAST McFADDEN STREET
 SANTA ANA, CALIFORNIA 92705**

**SILICOTE SALES DIVISION
 520 WEST 14th AVENUE
 OSHKOSH, WISCONSIN 54902**

**J. K. CLARK COMPANY
 ACO SPORTSMEN SERVICE
 13501 VAN DYKE
 DETROIT, MICHIGAN 48234**

REEL SERVICE AND PARTS

**NATE BUELL SERVICE CORPORATION
 5013 N.E. 42nd STREET
 PORTLAND, OREGON 97218**

**HARRY C. MILLER CO., INC.
 257 PARK AVENUE SOUTH
 NEW YORK, NEW YORK 10010**

**SHERMAN LOYD SALES COMPANY
 4737 GREENVILLE AVENUE
 DALLAS, TEXAS 75206**